

Flanged wheels and castors



Selection tool


Flanged wheels and castors



Series	SPKGSP0	SPK	SPKVS
Flange / double flange	Flange, single sided		
Tread / wheel centre	Cast nylon	Grey cast iron	Heat-treatable steel
Tread and tyre hardness	80 Shore D	180–220 HB	190–230 HB
Wheel Ø	50–250 mm	50–250 mm	50–400 mm
Load capacity up to	3,000 kg	3,500 kg	9,000 kg
Suitability for high speeds	■ ■ ■ ■ ■	■ ■ ■ ■ ■	■ ■ ■ ■ ■
Drive wheel available	upon request	–	✓ (see page 547)
For a description of the wheel, refer to	page 526	page 528	page 530
For information about fixed castors, refer to	page 527	page 529	page 531

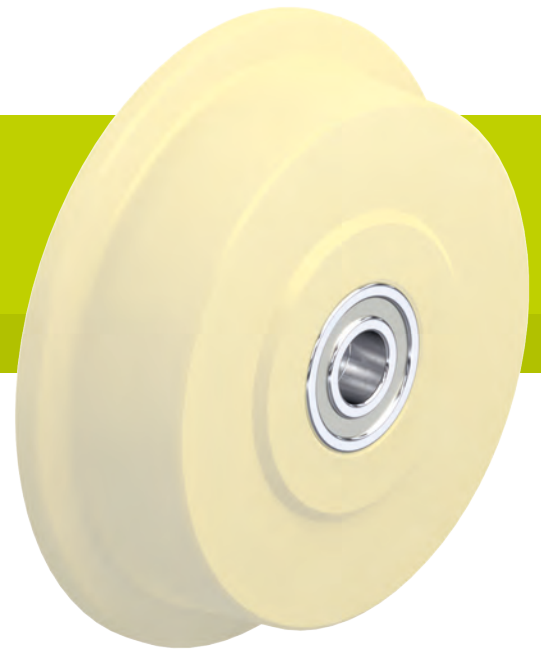
■ ■ ■ ■ ■ excellent ■ ■ ■ ■ ■ very good ■ ■ ■ ■ ■ good ■ ■ ■ ■ ■ satisfactory ■ ■ ■ ■ ■ sufficient ✓ yes – no



DSPKGSP0	DSPK
Double flange	
Cast nylon	Heat-treatable steel
80 Shore D	190–230 HB
50–200 mm	50–200 mm
700 kg	1,200 kg
	
upon request	upon request
page 532	page 534
page 533	page 535

SPKGSP0 series

Cast nylon flanged wheels



220–3,000 kg

Tread and tyre hardness
 80 Shore D

Smooth operation / floor preservation
 satisfactory

Rolling resistance
 excellent

Wear resistance
 very good

- Wheel:**
- high-quality cast nylon, impact resistant, hardness 80 Shore D
 - 3° taper tread to axle
 - very low rolling resistance
 - high abrasion resistance
 - colour natural beige

- Other features:**
- high chemical resistance to many aggressive substances
 - operating temperature: -20 °C to +80 °C, reduced load capacity over +35 °C
 - the load capacities provided in the table refer to the allocation of flanged wheels to rail profiles in accordance with DIN 536 specified below (crane rail standard):
 SPKGSP0 50G–SPKGSP0 200K,
 SPKGSP0 250K: A45
 SPKGSP0 201K, SPKGSP0 251K: A55

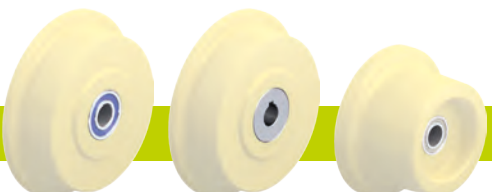
- Additional details:**
- wheel series: page 74
 - tread: page 57
 - bearing types: page 84–85
 - chemical resistance: page 51

Flanged wheels	Wheel Ø without flange (D) [mm]	Wheel Ø incl. flange (D1) [mm]	Wheel width (T2) [mm]	Running width (T3) [mm]	Flange location (T4) [mm]	Load capacity [kg]	Bearing type	Axle bore Ø (d) [mm]	Hub length (T1) [mm]
SPKGSP0 50G	50	62	32	26	6	220	plain bore	15	32
SPKGSP0 50K	50	62	32	26	6	220	ball bearing	15	32
SPKGSP0 75G	75	100	40	30	13.5	380	plain bore	20	47
SPKGSP0 75K	75	100	40	30	13.5	380	ball bearing	20	47
SPKGSP0 100K	100	125	46	36	13	600	ball bearing	20	52
SPKGSP0 125K	125	145	46	36	13	750	ball bearing	20	52
SPKGSP0 150K	150	175	46	36	13	900	ball bearing	20	52
SPKGSP0 200K	200	230	53	38	20	1,300	ball bearing	25	60
SPKGSP0 201K	200	230	80	60	25	2,500	ball bearing	40	90
SPKGSP0 250K	250	300	65	50	17.5	2,100	ball bearing	30	70
SPKGSP0 251K	250	300	80	60	25	3,000	ball bearing	40	90

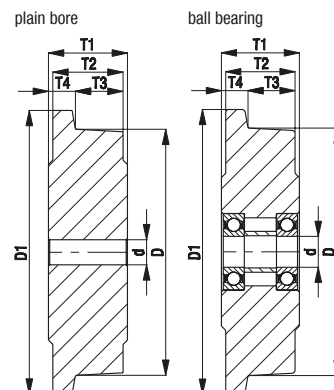
Other dimensions available upon request

14

Versions / options



	with stainless steel ball bearing in the wheel hub	drive wheel with hub keyway	other versions
Technical description page	84		
Product code suffix	-XK	SPKGSPON series	
Available for	upon request*	upon request	upon request



* Some dimensions may result in reduced load capacities

BS-SPKGSP0 series

Welded steel heavy-duty castors, with cast nylon flanged wheel



600–3,000 kg

Bracket: BS series

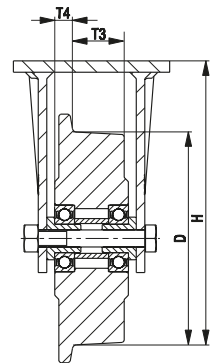
- particularly robust welded steel construction
- zinc-plated, yellow-passivated, Cr6-free

Wheel: SPKGSP0 series

- high-quality cast nylon, impact resistant, hardness 80 Shore D, colour natural beige
- the load capacities provided in the table refer to the allocation of flanged wheels to rail profiles in accordance with DIN 536 specified below (crane rail standard):
SPKGSP0 100K–SPKGSP0 200K,
SPKGSP0 250K: A45
SPKGSP0 201K, SPKGSP0 251K: A55

Additional details:

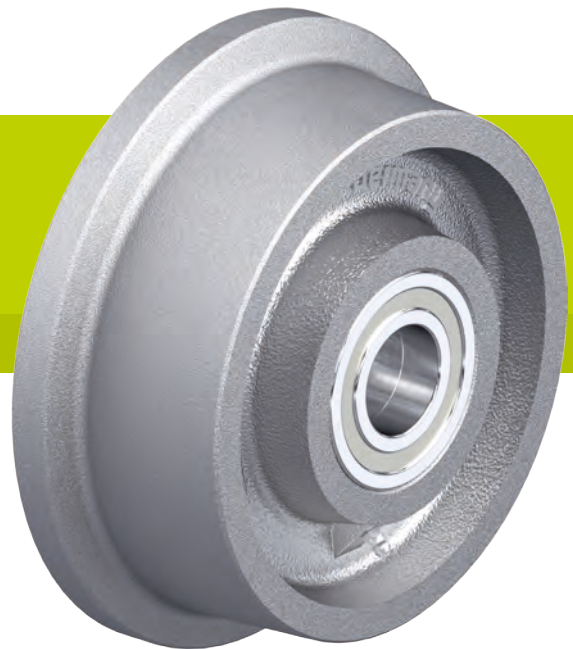
- wheel series: page 526
- bearing types: page 84–85



Fixed castors	Wheel Ø without flange (D) [mm]	Wheel Ø incl. flange [mm]	Wheel width [mm]	Running width (T3) [mm]	Flange location (T4) [mm]	Load capacity [kg]	Bearing type	Total height (H) [mm]	Plate size [mm]	Bolt hole spacing [mm]	Bolt hole Ø [mm]
BS-SPKGSP0 100K	100	125	46	36	13	600	ball bearing	157	140 x 110	105 x 75–80	11
BS-SPKGSP0 125K	125	145	46	36	13	750	ball bearing	170	140 x 110	105 x 75–80	11
BS-SPKGSP0 150K	150	175	46	36	13	900	ball bearing	200	140 x 110	105 x 75–80	11
BS-SPKGSP0 200K	200	230	53	38	20	1,300	ball bearing	245	140 x 110	105 x 75–80	11
BS-SPKGSP0 201K	200	230	80	60	25	2,500	ball bearing	245	175 x 140	140 x 105	14
BS-SPKGSP0 250K	250	300	65	50	17.5	2,100	ball bearing	305	175 x 140	140 x 105	14
BS-SPKGSP0 251K	250	300	80	60	25	3,000	ball bearing	305	200 x 160	160 x 120	14

SPK series

Cast iron flanged wheels



400–3,500 kg

Tread and tyre hardness
 180–220 HB

Smooth operation / floor preservation
 sufficient

Rolling resistance
 excellent

Wear resistance
 excellent

- Wheel:**
- rugged grey cast iron, hardness 180–220 HB
 - with grease nipple from wheel Ø 125 mm
 - machined flange and tread
 - 3° taper tread to axle
 - extremely low rolling resistance
 - outstanding wear resistance
 - lacquered, colour silver

- Other features:**
- chemical resistance to many aggressive substances
 - operating temperature:
 plain bore version: -100 °C to +600 °C, load capacity reduced by 50% at +600 °C
 ball bearing version: -20 °C to +120 °C
 heat-resistant ball bearing version: -30 °C to +300 °C, load capacity reduced by 50% at +300 °C
 - provide adequate lubrication on a regular basis for plain bore version
 - the load capacities provided in the table refer to the allocation of flanged wheels to rail profiles in accordance with DIN 536 specified below (crane rail standard):
 SPK 50G–SPK 200K, SPK 250G, SPK 250K: A45
 SPK 201K, SPK 251K: A55

- Additional details:**
- wheel series: page 74
 - tread: page 59
 - bearing types: page 84–85
 - chemical resistance: page 51

Flanged wheels	Wheel Ø without flange (D) [mm]	Wheel Ø incl. flange (D1) [mm]	Wheel width (T2) [mm]	Running width (T3) [mm]	Flange location (T4) [mm]	Load capacity up to +70 °C [kg]	Bearing type	Axle bore Ø (d) [mm]	Hub length (T1) [mm]
SPK 50G	50	62	32	26	6	400	plain bore	15	32
SPK 75G	75	100	40	30	13.5	700	plain bore	20	47
SPK 75K	75	100	40	30	13.5	700	ball bearing	20	47
SPK 100G	100	125	46	36	13	800	plain bore	20	52
SPK 100K	100	125	46	36	13	800	ball bearing	20	52
SPK 125G	125	145	46	36	13	900	plain bore	20	52
SPK 125K	125	145	46	36	13	900	ball bearing	20	52
SPK 150G	150	175	46	36	13	1,000	plain bore	20	52
SPK 150K	150	175	46	36	13	1,000	ball bearing	20	52
SPK 180G	180	210	46	36	13	1,200	plain bore	30	52
SPK 180K	180	210	46	36	13	1,200	ball bearing	20	52
SPK 200G	200	230	53	38	20	1,500	plain bore	30	60
SPK 200K	200	230	53	38	20	1,500	ball bearing	25	60
SPK 201K	200	230	80	60	25	3,000	ball bearing	40	90
SPK 250G	250	300	65	50	17.5	2,500	plain bore	40	70
SPK 250K	250	300	65	50	17.5	2,500	ball bearing	30	70
SPK 251K	250	300	80	60	25	3,500	ball bearing	40	90

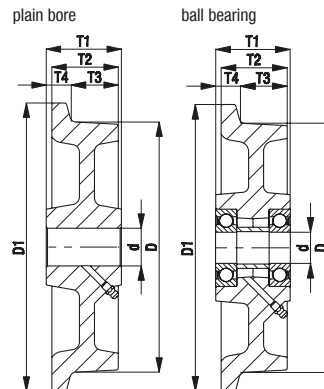
14

Versions / options



with heat-resistant ball bearing up to +300 °C

Technical description page	84
Product code suffix	-IK
Available for	ball bearing versions upon request



BS-SPK series

Welded steel heavy-duty castors, with cast iron flanged wheel

800–3,500 kg

Bracket: BS series

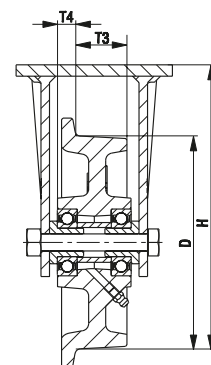
- particularly robust welded steel construction
- zinc-plated, yellow-passivated, Cr6-free

Wheel: SPK series

- rugged grey cast iron, hardness 180–220 HB, with grease nipple from wheel Ø 125 mm, lacquered, colour silver
- the load capacities provided in the table refer to the allocation of flanged wheels to rail profiles in accordance with DIN 536 specified below (crane rail standard):
SPK 100K–SPK 200K, SPK 250K: A45
SPK 201K, SPK 251K: A55

Additional details:

- wheel series: page 528
- bearing types: page 84–85



Fixed castors	Wheel Ø without flange (D) [mm]	Wheel Ø incl. flange [mm]	Wheel width [mm]	Running width (T3) [mm]	Flange location (T4) [mm]	Load capacity [kg]	Bearing type	Total height (H) [mm]	Plate size [mm]	Bolt hole spacing [mm]	Bolt hole Ø [mm]
BS-SPK 100K	100	125	46	36	13	800	ball bearing	157	140 x 110	105 x 75–80	11
BS-SPK 125K	125	145	46	36	13	900	ball bearing	170	140 x 110	105 x 75–80	11
BS-SPK 150K	150	175	46	36	13	1,000	ball bearing	200	140 x 110	105 x 75–80	11
BS-SPK 200K	200	230	53	38	20	1,500	ball bearing	245	140 x 110	105 x 75–80	11
BS-SPK 201K	200	230	80	60	25	3,000	ball bearing	245	175 x 140	140 x 105	14
BS-SPK 250K	250	300	65	50	17.5	2,500	ball bearing	305	175 x 140	140 x 105	14
BS-SPK 251K	250	300	80	60	25	3,500	ball bearing	305	200 x 160	160 x 120	14



with heat-resistant ball bearing up to +300 °C

Versions / options

Technical description page

84

Product code suffix

-IK

Available for

upon request*

* Load capacity see page 528

SPKVS series

Solid steel flanged wheels



500–9,000 kg

Tread and tyre hardness
 190–230 HB

Smooth operation / floor preservation
 sufficient

Rolling resistance
 excellent

Wear resistance
 excellent

- Wheel:**
- heat-treatable steel, machined, hardness 190–230 HB
 - lightly-oiled surface
 - 3° taper tread to axle
 - extremely low rolling resistance
 - extremely high static and dynamic load capacity

- Other features:**
- chemical resistance to many aggressive substances
 - operating temperature:
 ball bearing version: -20 °C to +120 °C
 heat-resistant ball bearing version: -30 °C to +300 °C, load capacity reduced by 50% at +300 °C
 - the load capacities provided in the table refer to the allocation of flanged wheels to rail profiles in accordance with DIN 536 specified below (crane rail standard):
 SPKVS 50K–SPKVS 200K: A45
 SPKVS 250K: A55
 SPKVS 300K–SPKVS 400K: A65

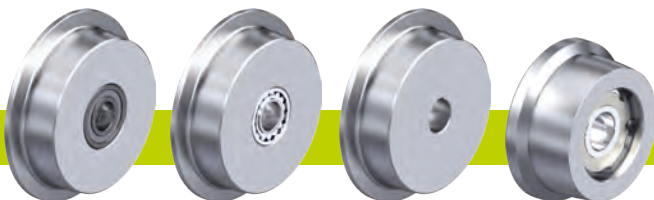
- Additional details:**
- wheel series: page 74
 - tread: page 59
 - bearing types: page 84–85
 - chemical resistance: page 51

Flanged wheels	Wheel Ø without flange (D) [mm]	Wheel Ø incl. flange (D1) [mm]	Wheel width (T2) [mm]	Running width (T3) [mm]	Flange location (T4) [mm]	Load capacity [kg]	Bearing type	Axle bore Ø (d) [mm]	Hub length (T1) [mm]
SPKVS 50K	50	62	40	30	10	500	ball bearing	15	40
SPKVS 75K	75	100	40	30	10	800	ball bearing	20	40
SPKVS 100K	100	125	50	40	10	1,200	ball bearing	25	50
SPKVS 125K	125	150	50	40	10	1,500	ball bearing	25	50
SPKVS 150K	150	180	60	48	12	2,000	ball bearing	30	60
SPKVS 200K	200	240	60	48	12	2,500	ball bearing	35	60
SPKVS 250K	250	290	75	60	15	4,000	ball bearing	45	75
SPKVS 300K	300	345	90	72	18	7,000	ball bearing	60	90
SPKVS 400K	400	445	90	72	18	9,000	ball bearing	80	90

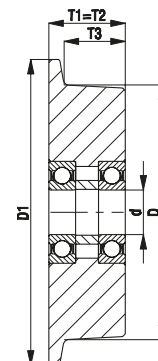
Other dimensions available upon request

14

Versions / options

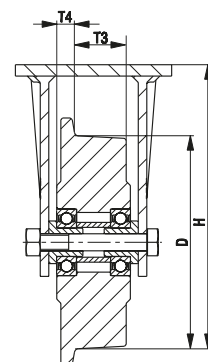


	with heat-resistant ball bearing up to +300 °C	with spherical roller bearing	drive wheels with hub keyway	other versions
Technical description page	84	85	76	
Product code suffix	-IK	-PR	SPKVSN series	
Available for	upon request	upon request	see page 547	upon request



BS-SPKVS series

Welded steel heavy-duty castors, with solid steel flanged wheel



1,200–9,000 kg

Bracket: BS series

- particularly robust welded steel construction
- zinc-plated, yellow-passivated, Cr6-free

Wheel: SPKVS series

- heat-treatable steel, hardness 190–230 HB
- the load capacities provided in the table refer to the allocation of flanged wheels to rail profiles in accordance with DIN 536 specified below (crane rail standard):
SPKVS 100K–SPKVS 200K: A45
SPKVS 250K: A55
SPKVS 300K–SPKVS 400K: A65

Additional details:

- wheel series: page 530
- bearing types: page 84–85

Fixed castors	Wheel Ø without flange (D) [mm]	Wheel Ø incl. flange [mm]	Wheel width [mm]	Running width (T3) [mm]	Flange location (T4) [mm]	Load capacity [kg]	Bearing type	Total height (H) [mm]	Plate size [mm]	Bolt hole spacing [mm]	Bolt hole Ø [mm]
BS-SPKVS 100K	100	125	50	40	10	1,200	ball bearing	157	140 x 110	105 x 75–80	11
BS-SPKVS 125K	125	150	50	40	10	1,500	ball bearing	170	140 x 110	105 x 75–80	11
BS-SPKVS 150K	150	180	60	48	12	1,750	ball bearing	200	140 x 110	105 x 75–80	11
BS-SPKVS 200K	200	240	60	48	12	2,500	ball bearing	245	175 x 140	140 x 105	11
BS-SPKVS 250K	250	290	75	60	15	4,000	ball bearing	305	200 x 160	160 x 120	14
BS-SPKVS 300K	300	345	90	72	18	6,000	ball bearing	380	255 x 200	210 x 160	18
BS-SPKVS 400K	400	445	90	72	18	9,000	ball bearing	480	400 x 300	340 x 240	26

DSPKGSP0 series

Twin cast nylon flanged wheels



50–700 kg

Tread and tyre hardness

80 Shore D

Smooth operation / floor preservation

satisfactory

Rolling resistance

excellent

Wear resistance

very good

Wheel:

- high-quality cast nylon, impact resistant, hardness 80 Shore D
- V-shaped tread (for angular steel)
- very low rolling resistance
- high abrasion resistance
- colour natural beige

Other features:

- high chemical resistance to many aggressive substances
- operating temperature: -20 °C to +80 °C, reduced load capacity over +35 °C
- consider the surface pressure on sensitive floors due to high point loads

Additional details:

- wheel series: page 75
- tread: page 57
- bearing types: page 84–85
- chemical resistance: page 51

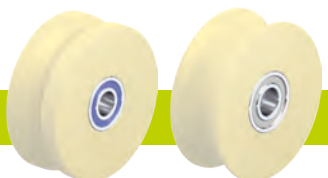
Twin flanged wheels	Wheel Ø	Wheel width	Insertion width	Load capacity	Bearing type	Axle bore Ø	Hub length
	(D) [mm]	(T2) [mm]	(B) [mm]	[kg]		(d) [mm]	(T1) [mm]
DSPKGSP0 50G	50	18	12	50	plain bore	10	18
DSPKGSP0 50K	50	18	12	50	ball bearing	10	18
DSPKGSP0 75G	75	22	16	75	plain bore	12	22
DSPKGSP0 75K	75	22	16	75	ball bearing	12	22
DSPKGSP0 75/15K	75	22	16	75	ball bearing	15	22
DSPKGSP0 100K	100	24	18	150	ball bearing	15	24
DSPKGSP0 101K *	100	40	20	400	ball bearing	15	40
DSPKGSP0 120K	120	33	25	200	ball bearing	20	33
DSPKGSP0 125K *	125	50	25	700	ball bearing	20	50
DSPKGSP0 150K	150	33	25	400	ball bearing	20	33
DSPKGSP0 200K	200	33	25	500	ball bearing	20	33

* Wheels with wide tread that can also run outside of the rails.

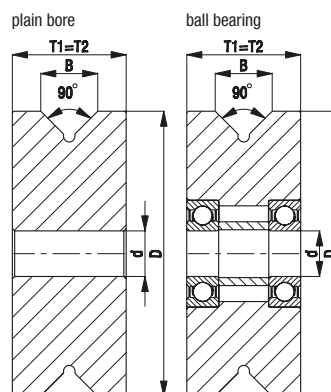
Other dimensions available upon request

14

Versions / options



	with stainless steel ball bearing in the wheel hub	other versions
Technical description page	84	
Product code suffix	-XK	
Available for	upon request	upon request



BH-DSPKGSP0 series

Pressed steel castors, heavy-duty brackets, with cast nylon double flanged wheel



75–700 kg

Bracket: BH series

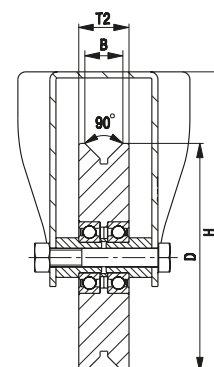
- pressed steel, zinc-plated, blue-passivated, Cr6-free
- heavy fork and top plate

Wheel: DSPKGSP0 series

- high-quality cast nylon, impact resistant, hardness 80 Shore D, colour natural beige

Additional details:

- wheel series: page 532
- bearing types: page 84–85



Fixed castors	Wheel Ø without flange (D) [mm]	Wheel width (T2) [mm]	Insertion width (B) [mm]	Load capacity [kg]	Bearing type	Total height (H) [mm]	Plate size [mm]	Bolt hole spacing [mm]	Bolt hole Ø [mm]
BH-DSPKGSP0 75K	75	22	16	75	ball bearing	118	100 x 85	80 x 60	9
BH-DSPKGSP0 100K-1	100	24	18	150	ball bearing	140	100 x 85	80 x 60	9
BH-DSPKGSP0 100K-3	100	24	18	150	ball bearing	140	140 x 110	105 x 75–80	11
BH-DSPKGSP0 101K-1 *	100	40	20	400	ball bearing	140	100 x 85	80 x 60	9
BH-DSPKGSP0 101K-3 *	100	40	20	400	ball bearing	140	140 x 110	105 x 75–80	11
BH-DSPKGSP0 120K-1	120	33	25	200	ball bearing	162	100 x 85	80 x 60	9
BH-DSPKGSP0 120K-3	120	33	25	200	ball bearing	162	140 x 110	105 x 75–80	11
BH-DSPKGSP0 125K *	125	50	25	700	ball bearing	170	140 x 110	105 x 75–80	11
BH-DSPKGSP0 150K	150	33	25	400	ball bearing	197	140 x 110	105 x 75–80	11
BH-DSPKGSP0 200K	200	33	25	500	ball bearing	245	140 x 110	105 x 75–80	11

* Wheels with wide tread that can also run outside of the rails.

DSPK series

Twin solid steel flanged wheels



120–1,200 kg

Tread and tyre hardness

190–230 HB

Smooth operation / floor preservation

sufficient

Rolling resistance

excellent

Wear resistance

excellent

Wheel:

- heat-treatable steel, machined, hardness 190–230 HB
- lightly-oiled surface
- V-shaped tread (for angular steel)
- extremely low rolling resistance
- outstanding wear resistance
- extremely high static and dynamic load capacity

Other features:

- chemical resistance to many aggressive substances
- operating temperature: -20 °C to +120 °C
- consider the surface pressure on sensitive floors due to high point loads

Additional details:

- wheel series: page 75
- tread: page 59
- bearing types: page 84–85
- chemical resistance: page 51

Twin flanged wheels	Wheel Ø	Wheel width	Insertion width	Load capacity	Bearing type	Axle bore Ø	Hub length
	(D) [mm]	(T2) [mm]	(B) [mm]	[kg]		(d) [mm]	(T1) [mm]
DSPK 50K	50	18	12	120	ball bearing	10	18
DSPK 75K	75	22	16	250	ball bearing	12	22
DSPK 75/15K	75	22	16	250	ball bearing	15	22
DSPK 100K	100	24	18	300	ball bearing	15	24
DSPK 101K *	100	40	20	600	ball bearing	15	40
DSPK 120K	120	33	25	600	ball bearing	20	33
DSPK 125K *	125	50	25	1,200	ball bearing	20	50
DSPK 150K	150	33	25	800	ball bearing	20	33
DSPK 200K	200	33	25	1,000	ball bearing	20	33

* Wheels with wide tread that can also run outside of the rails.

Other dimensions available upon request

14

Versions / options



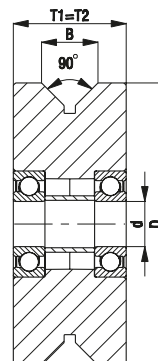
other versions

Technical description page

Product code suffix

Available for

upon request



BH-DSPK series

Pressed steel castors, heavy-duty brackets,
with solid steel double flanged wheel



250–900 kg

Bracket: BH series

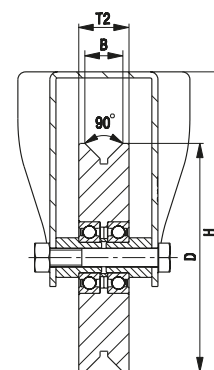
- pressed steel, zinc-plated, blue-passivated, Cr6-free
- heavy fork and top plate

Wheel: DSPK series

- heat-treatable steel, hardness 190–230 HB

Additional details:

- wheel series: page 534
- bearing types: page 84–85



Fixed castors	Wheel Ø (D) [mm]	Wheel width (T2) [mm]	Insertion width (B) [mm]	Load capacity [kg]	Bearing type	Total height (H) [mm]	Plate size [mm]	Bolt hole spacing [mm]	Bolt hole Ø [mm]
BH-DSPK 75K	75	22	16	250	ball bearing	118	100 x 85	80 x 60	9
BH-DSPK 100K-1	100	24	18	300	ball bearing	140	100 x 85	80 x 60	9
BH-DSPK 100K-3	100	24	18	300	ball bearing	140	140 x 110	105 x 75–80	11
BH-DSPK 101K-1 *	100	40	20	600	ball bearing	140	100 x 85	80 x 60	9
BH-DSPK 101K-3 *	100	40	20	600	ball bearing	140	140 x 110	105 x 75–80	11
BH-DSPK 120K-1	120	33	25	600	ball bearing	162	100 x 85	80 x 60	9
BH-DSPK 120K-3	120	33	25	600	ball bearing	162	140 x 110	105 x 75–80	11
BH-DSPK 125K *	125	50	25	900	ball bearing	170	140 x 110	105 x 75–80	11
BH-DSPK 150K	150	33	25	800	ball bearing	197	140 x 110	105 x 75–80	11
BH-DSPK 200K	200	33	25	900	ball bearing	245	140 x 110	105 x 75–80	11

* Wheels with wide tread that can also run outside of the rails.