

## Antistatic and electrically conductive wheels



## Selection tool

### Antistatic and electrically conductive wheels



| Series   | TPA...-ELS                              | VPA...-EL             | VE...- / V...-EL    | ALEV...-EL   | ALEV...-SG-AS       | PATH...-ELS                             |
|--|---|-----------------------|---------------------|--|---------------------|---|
| Tread / tyre   | Thermoplastic rubber-elastomer          | Standard solid rubber |                     | Elastic solid rubber, smooth rolling quality, "Blickle EasyRoll" |                     | Thermoplastic polyurethane              |
| Tread and tyre hardness                                  | 85 Shore A                              | 80 Shore A            | 80 Shore A          | 71 Shore A   | 65 Shore A          | 94 Shore A                              |
| Non-marking  | ✓                                       | –                     | –                   | –  | ✓                   | ✓                                       |
| Wheel centre / rim                                       | polypropylene                           | polypropylene         | pressed steel       | aluminium  | aluminium           | nylon                                   |
| Wheel Ø  | 50–200 mm                               | 50–150 mm             | 80–250 mm           | 100–250 mm   | 100–250 mm          | 50–200 mm                               |
| Load capacity up to                                      | 160 kg                                  | 100 kg                | 295 kg              | 650 kg   | 550 kg              | 325 kg                                  |
| Rolling resistance                                       | ■■■■■                                   | ■■■■                  | ■■■■                | ■■■■■  | ■■■■■               | ■■■■■                                   |
| Smooth operation and floor preservation                  | ■■■■■                                   | ■■■■■                 | ■■■■■               | ■■■■■  | ■■■■■               | ■■■■■                                   |
| Speeds up to   | 4 km/h                                  | 4 km/h                | 4 km/h              | 10 km/h  | 10 km/h             | 4 km/h                                  |
| Electrical conductivity (ohmic resistance)               | ≤ 10 <sup>4</sup> Ω                     | ≤ 10 <sup>4</sup> Ω   | ≤ 10 <sup>4</sup> Ω | ≤ 10 <sup>4</sup> Ω  | ≤ 10 <sup>7</sup> Ω | ≤ 10 <sup>4</sup> Ω                     |
| For a description of the wheel, refer to                 | page 426                                | page 427              | page 428            | page 429   | page 430            | page 431                                |
| For information about swivel and fixed castors, refer to | page 123–126, 187–188, 390–391, 399–400 | page 128–132          | page 196–198 / 201  | page 222–227   | page 222–227        | page 137–140, 259–262, 394–395, 407–408 |

■■■■■ excellent   
 ■■■■ very good   
 ■■■■ good   
 ■■■ satisfactory   
 ■■ sufficient   
 ✓ yes    – no



| ALTH...-AS                                    | ALST...-AS                                  | PP...-EL            | PO...-ELS                | G                        | SVS                  |
|---|---|---------------------|--------------------------|--------------------------|----------------------|
| Polyurethane-elastomer<br>Blickle Extrathane® | Polyurethane-elastomer<br>Blickle Softhane® | Polypropylene       | Nylon                    | Grey cast iron           | Heat-treatable steel |
| 92 Shore A                                    | 75 Shore A                                  | 60 Shore D          | 70 Shore D               | 180–220 HB               | 190–230 HB           |
| ✓   | ✓   | –                   | ✓                        | –                        | ✓                    |
| aluminium                                     | aluminium                                   | polypropylene       | nylon                    | grey cast iron           | heat-treatable steel |
| 80–250 mm                                     | 100–200 mm                                  | 100–200 mm          | 80–200 mm                | 80–250 mm                | 65–300 mm            |
| 1,250 kg                                      | 750 kg                                      | 450 kg              | 600 kg                   | 1,400 kg                 | 15,000 kg            |
| ■ ■ ■ ■ ■ □                                   | ■ ■ ■ ■ ■ □                                 | ■ ■ ■ ■ ■ □         | ■ ■ ■ ■ ■ ■              | ■ ■ ■ ■ ■ ■              | ■ ■ ■ ■ ■ ■          |
| ■ ■ ■ ■ ■ □                                   | ■ ■ ■ ■ ■ □                                 | ■ ■ ■ ■ ■ □         | ■ ■ ■ ■ ■ □              | ■ ■ ■ ■ ■ □              | ■ ■ ■ ■ ■ □          |
| 10 km/h                                       | 10 km/h                                     | 4 km/h              | 4 km/h                   | 4 km/h                   | 4 km/h               |
| ≤ 10 <sup>7</sup> Ω                           | ≤ 10 <sup>7</sup> Ω                         | ≤ 10 <sup>4</sup> Ω | ≤ 10 <sup>4</sup> Ω      | ≤ 10 <sup>4</sup> Ω      | ≤ 10 <sup>4</sup> Ω  |
| page 432                                      | page 433                                    | page 434            | page 435                 | page 436                 | page 437             |
| page 275–281                                  | page 295–300                                | page 337–339        | page 345–354,<br>417–420 | page 377–381,<br>469–470 | page 383–384         |



## TPA...-ELS series

**Wheels with thermoplastic rubber tread,  
with polypropylene wheel centre  
electrically conductive, non-marking**



30–160 kg

**Tread and tyre hardness**

85 Shore A

**Smooth operation / floor preservation**

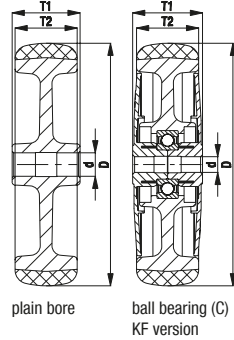
good

**Rolling resistance**

very good

**Wear resistance**

satisfactory



**Tread:**

- high-quality thermoplastic rubber-elastomer (TPE), hardness 85 Shore A
- low rolling and swivel resistance
- colour grey, non-marking
- chemically-bonded inseparable connection with the wheel centre

**Wheel centre:**

- high-quality polypropylene, impact resistant
- colour black

**Other features:**

- KF version: with synthetic thread guard, large
- KFD version: with synthetic thread guard, large, with additional ball bearing seal
- very high chemical resistance to many aggressive substances
- operating temperature: -20 °C to +60 °C, reduced load capacity over +30 °C
- tread contains oil, may stain sensitive surfaces. alternatives: Series VPA, PATH
- electrical conductivity (ohmic resistance)  $\leq 10^4 \Omega$

**Additional details:**

- wheel series: page 60
- tread: page 52
- bearing types: page 84–85
- chemical resistance: page 51

| Wheels           | Wheel Ø<br>(D) [mm] | Wheel width<br>(T2) [mm] | Load capacity<br>[kg] | Bearing type     | Axle bore Ø<br>(d) [mm] | Hub length<br>(T1) [mm] |
|------------------|---------------------|--------------------------|-----------------------|------------------|-------------------------|-------------------------|
| TPA 50/8G-ELS    | 50                  | 19                       | 30                    | plain bore       | 8                       | 22                      |
| TPA 50/6KF-ELS   | 50                  | 19                       | 30                    | ball bearing (C) | 6                       | 23                      |
| TPA 50/6KFD-ELS  | 50                  | 19                       | 30                    | ball bearing (C) | 6                       | 23                      |
| TPA 75/8G-ELS    | 75                  | 25                       | 50                    | plain bore       | 8                       | 29.5                    |
| TPA 75/6KF-ELS   | 75                  | 25                       | 50                    | ball bearing (C) | 6                       | 31                      |
| TPA 75/6KFD-ELS  | 75                  | 25                       | 50                    | ball bearing (C) | 6                       | 31                      |
| TPA 80/12G-ELS   | 80                  | 32                       | 65                    | plain bore       | 12                      | 35                      |
| TPA 80/8KF-ELS   | 80                  | 32                       | 65                    | ball bearing (C) | 8                       | 36                      |
| TPA 80/8KFD-ELS  | 80                  | 32                       | 65                    | ball bearing (C) | 8                       | 36                      |
| TPA 100/8G-ELS   | 100                 | 25                       | 60                    | plain bore       | 8                       | 29.5                    |
| TPA 101/12G-ELS  | 100                 | 32                       | 70                    | plain bore       | 12                      | 35                      |
| TPA 102/12G-ELS  | 100                 | 32                       | 70                    | plain bore       | 12                      | 45                      |
| TPA 101/8KF-ELS  | 100                 | 32                       | 70                    | ball bearing (C) | 8                       | 36                      |
| TPA 101/8KFD-ELS | 100                 | 32                       | 70                    | ball bearing (C) | 8                       | 36                      |
| TPA 102/8KF-ELS  | 100                 | 32                       | 70                    | ball bearing (C) | 8                       | 46                      |
| TPA 102/8KFD-ELS | 100                 | 32                       | 70                    | ball bearing (C) | 8                       | 46                      |
| TPA 126/12G-ELS  | 125                 | 32                       | 80                    | plain bore       | 12                      | 35                      |
| TPA 127/12G-ELS  | 125                 | 32                       | 80                    | plain bore       | 12                      | 45                      |
| TPA 126/8KF-ELS  | 125                 | 32                       | 80                    | ball bearing (C) | 8                       | 36                      |
| TPA 126/8KFD-ELS | 125                 | 32                       | 80                    | ball bearing (C) | 8                       | 36                      |
| TPA 127/8KF-ELS  | 125                 | 32                       | 80                    | ball bearing (C) | 8                       | 46                      |
| TPA 127/8KFD-ELS | 125                 | 32                       | 80                    | ball bearing (C) | 8                       | 46                      |
| TPA 160/20G-ELS  | 160                 | 40                       | 130                   | plain bore       | 20                      | 60                      |
| TPA 200/20G-ELS  | 200                 | 40                       | 160                   | plain bore       | 20                      | 60                      |

## Castor series



|                     | LPA-TPA / LKPA-TPA | LDA-TPA           | LE-TPA             | LPXA-TPA / LKPXA-TPA | LEX-TPA            |
|---------------------|--------------------|-------------------|--------------------|----------------------|--------------------|
| Page                | 124                | 126               | 187                | 391                  | 399                |
| Load capacity class |                    |                   |                    |                      |                    |
| Available for       | wheel Ø 50–125 mm* | wheel Ø 50–75 mm* | wheel Ø 80–200 mm* | wheel Ø 50–125 mm*   | wheel Ø 80–200 mm* |

\* Other castor series with bolt hole: LRA-TPA / LKRA-TPA (page 123), LMDA-TPA (page 125), LER-TPA (page 188), LRXA-TPA / LKRXA-TPA (page 390), LEXR-TPA (page 400)

## VPA...-EL series

**Wheels with solid rubber tyre,  
with synthetic rim  
electrically conductive**

30–100 kg

**Tread and tyre hardness**

80 Shore A

**Smooth operation / floor preservation**

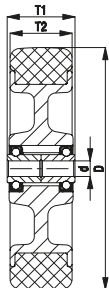
very good

**Rolling resistance**

good

**Wear resistance**

sufficient



**Tyre:**

- high-quality solid rubber, hardness 80 Shore A
- very good operational comfort
- very good floor preservation, low-noise operation
- colour black

**Rim:**

- high-quality polypropylene, impact resistant
- colour black

**Other features:**

- high chemical resistance to many aggressive substances, except oils
- operating temperature: -20 °C to +60 °C, reduced load capacity over +30 °C
- electrical conductivity (ohmic resistance)  $\leq 10^4 \Omega$

**Additional details:**

- wheel series: page 60
- tread: page 52
- bearing types: page 84–85
- chemical resistance: page 51

| Wheels        | Wheel Ø<br>(D) [mm] | Tyre width<br>(T2) [mm] | Load capacity<br>[kg] | Bearing type | Axle bore Ø<br>(d) [mm] | Hub length<br>(T1) [mm] |
|---------------|---------------------|-------------------------|-----------------------|--------------|-------------------------|-------------------------|
| VPA 50/6K-EL  | 50                  | 18                      | 30                    | ball bearing | 6                       | 22.5                    |
| VPA 75/6K-EL  | 75                  | 25                      | 45                    | ball bearing | 6                       | 30                      |
| VPA 80/8K-EL  | 80                  | 25                      | 60                    | ball bearing | 8                       | 35                      |
| VPA 100/6K-EL | 100                 | 25                      | 70                    | ball bearing | 6                       | 30                      |
| VPA 101/8K-EL | 100                 | 32                      | 80                    | ball bearing | 8                       | 35                      |
| VPA 125/8K-EL | 125                 | 25                      | 75                    | ball bearing | 8                       | 35                      |
| VPA 126/8K-EL | 125                 | 32                      | 95                    | ball bearing | 8                       | 35                      |
| VPA 150/8K-EL | 150                 | 30                      | 100                   | ball bearing | 8                       | 35                      |

## Castor series



|                     | LRA-VPA /<br>LKRA-VPA | LPA-VPA /<br>LKPA-VPA | LMDA-VPA         | LDA-VPA          |
|---------------------|-----------------------|-----------------------|------------------|------------------|
| Page                | 128–129               | 130                   | 131              | 132              |
| Load capacity class |                       |                       |                  |                  |
| Available for       | wheel Ø 50–150 mm     | wheel Ø 50–150 mm     | wheel Ø 50–75 mm | wheel Ø 50–75 mm |

## VE...-EL / V...-EL series

**Wheels with standard solid rubber tyre, with pressed steel rim electrically conductive**



50–295 kg

**Tread and tyre hardness**  
 80 Shore A

**Smooth operation / floor preservation**  
 very good

**Rolling resistance**  
 satisfactory

**Wear resistance**  
 sufficient

- Tyre:**
- standard solid rubber, hardness 80 Shore A
  - very good operational comfort
  - very good floor preservation, low-noise operation
  - colour black

- Rim:**
- pressed steel
  - zinc-plated, blue-passivated, Cr6-free

- Other features:**
- chemical resistance to many aggressive substances, except oils
  - operating temperature: -20 °C to +80 °C, reduced load capacity over +60 °C
  - electrical conductivity (ohmic resistance) ≤ 10<sup>4</sup> Ω

- Additional details:**
- wheel series: page 61–62
  - tread: page 52
  - bearing types: page 84–85
  - chemical resistance: page 51

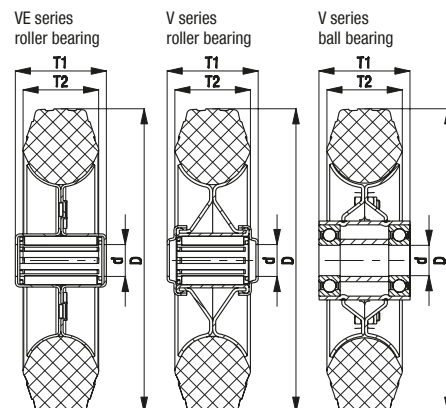
| Wheels           | Wheel Ø<br>(D) [mm] | Tyre width<br>(T2) [mm] | Load capacity<br>[kg] | Bearing type   | Axle bore Ø<br>(d) [mm] | Hub length<br>(T1) [mm] |
|------------------|---------------------|-------------------------|-----------------------|----------------|-------------------------|-------------------------|
| <b>VE series</b> |                     |                         |                       |                |                         |                         |
| VE 80/12R-EL     | 80                  | 25                      | 50                    | roller bearing | 12                      | 35                      |
| VE 100/12R-EL    | 100                 | 30                      | 70                    | roller bearing | 12                      | 45                      |
| VE 125/12R-EL    | 125                 | 37.5                    | 100                   | roller bearing | 12                      | 45                      |
| VE 150/20R-EL    | 150                 | 40                      | 135                   | roller bearing | 20                      | 60                      |
| VE 160/20R-EL    | 160                 | 40                      | 135                   | roller bearing | 20                      | 60                      |
| VE 180/20R-EL    | 180                 | 50                      | 170                   | roller bearing | 20                      | 60                      |
| VE 200/20R-EL    | 200                 | 50                      | 205                   | roller bearing | 20                      | 60                      |
| <b>V series</b>  |                     |                         |                       |                |                         |                         |
| V 80/12R-EL      | 80                  | 25                      | 50                    | roller bearing | 12                      | 35                      |
| V 100/15R-EL     | 100                 | 30                      | 70                    | roller bearing | 15                      | 45                      |
| V 125/15R-EL     | 125                 | 37.5                    | 100                   | roller bearing | 15                      | 45                      |
| V 140/15R-EL     | 140                 | 37.5                    | 115                   | roller bearing | 15                      | 45                      |
| V 162/20R-EL     | 160                 | 40                      | 135                   | roller bearing | 20                      | 60                      |
| V 182/20R-EL     | 180                 | 50                      | 170                   | roller bearing | 20                      | 60                      |
| V 202/20R-EL     | 200                 | 50                      | 205                   | roller bearing | 20                      | 60                      |
| V 202/25R-EL     | 200                 | 50                      | 205                   | roller bearing | 25                      | 60                      |
| V 200/20K-EL     | 200                 | 50                      | 205                   | ball bearing   | 20                      | 60                      |
| V 252/25R-EL     | 250                 | 60                      | 295                   | roller bearing | 25                      | 65                      |
| V 250/25K-EL     | 250                 | 60                      | 295                   | ball bearing   | 25                      | 65                      |

## Castor series



|                     | LE-VE              | LER-VE            | L-V               |
|---------------------|--------------------|-------------------|-------------------|
| Page                | 196                | 197               | 201               |
| Load capacity class |                    |                   |                   |
| Available for       | wheel Ø 80–200 mm* | wheel Ø 80–200 mm | wheel Ø 80–250 mm |

\* Other castor series with stem: LEZ-VE (page 198)



## ALEV...-EL series

Heavy-duty wheels with elastic solid rubber tyre “Blickle EasyRoll”, with aluminium wheel centre electrically conductive

200–650 kg

**Tread and tyre hardness**

71 Shore A

**Smooth operation / floor preservation**

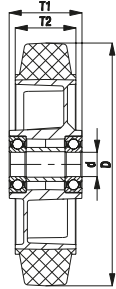
very good

**Rolling resistance**

very good

**Wear resistance**

good



**Tyre:**

- high-quality elastic solid rubber “Blickle EasyRoll” in smooth rolling quality, hardness 71 Shore A
- very good operational comfort
- very good floor preservation, low-noise operation
- low rolling resistance
- colour black
- vulcanised onto the wheel centre

**Wheel centre:**

- die-cast aluminium

**Other features:**

- chemical resistance to many aggressive substances, except oils
- operating temperature: -20 °C to +80 °C, temporarily up to +100 °C, reduced load capacity over +60 °C
- electrical conductivity (ohmic resistance)  $\leq 10^4 \Omega$

| Wheels          | Wheel Ø  | Wheel width | Load capacity at 4 km/h | Load capacity at 10 km/h | Bearing type | Axle bore Ø | Hub length |
|-----------------|----------|-------------|-------------------------|--------------------------|--------------|-------------|------------|
|                 | (D) [mm] | (T2) [mm]   | [kg]                    | [kg]                     |              | (d) [mm]    | (T1) [mm]  |
| ALEV 100/15K-EL | 100      | 40          | 200                     | –                        | ball bearing | 15          | 40         |
| ALEV 125/15K-EL | 125      | 40          | 250                     | –                        | ball bearing | 15          | 45         |
| ALEV 161/15K-EL | 160      | 40          | 300                     | 150                      | ball bearing | 15          | 60         |
| ALEV 160/20K-EL | 160      | 50          | 400                     | 200                      | ball bearing | 20          | 60         |
| ALEV 160/25K-EL | 160      | 50          | 400                     | 200                      | ball bearing | 25          | 60         |
| ALEV 200/20K-EL | 200      | 50          | 500                     | 250                      | ball bearing | 20          | 60         |
| ALEV 200/25K-EL | 200      | 50          | 500                     | 250                      | ball bearing | 25          | 60         |
| ALEV 250/20K-EL | 250      | 50          | 650                     | 320                      | ball bearing | 20          | 60         |
| ALEV 250/25K-EL | 250      | 50          | 650                     | 320                      | ball bearing | 25          | 60         |

**Additional details:**

- wheel series: page 63
- tread: page 53
- bearing types: page 84–85
- chemical resistance: page 51

## Castor series



|                     | L-ALEV             | LK-ALEV            | LH-ALEV            | LUH-ALEV           | LO-ALEV            | LHD-ALEV           |
|---------------------|--------------------|--------------------|--------------------|--------------------|--------------------|--------------------|
| Page                | 222                | 223                | 224                | 225                | 226                | 227                |
| Load capacity class |                    |                    |                    |                    |                    |                    |
| Available for       | wheel Ø 100–250 mm | wheel Ø 100–200 mm | wheel Ø 100–250 mm | wheel Ø 160–200 mm | wheel Ø 160–250 mm | wheel Ø 100–125 mm |

## ALEV...-SG-AS series

**Heavy-duty wheels with elastic solid rubber tyre “Blickle EasyRoll”, with aluminium wheel centre antistatic, non-marking**

200–550 kg

**Tread and tyre hardness**

65 Shore A

**Smooth operation / floor preservation**

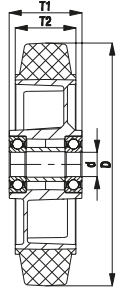
very good

**Rolling resistance**

very good

**Wear resistance**

good



**Tyre:**

- high-quality elastic solid rubber “Blickle EasyRoll” in smooth rolling quality, hardness 65 Shore A
- very good operational comfort
- very good floor preservation, low-noise operation
- low rolling resistance
- colour grey, non-marking
- vulcanised onto the wheel centre

**Wheel centre:**

- die-cast aluminium

**Other features:**

- high chemical resistance to many aggressive substances, except oils
- operating temperature: -20 °C to +80 °C, temporarily up to +100 °C, reduced load capacity over +60 °C
- electrical conductivity (ohmic resistance)  $\leq 10^7 \Omega$

**Wheels**

| Wheels             | Wheel Ø<br>(D) [mm] | Wheel width<br>(T2) [mm] | Load capacity<br>at 4 km/h<br>[kg] | Load capacity<br>at 10 km/h<br>[kg] | Bearing type | Axle bore Ø<br>(d) [mm] | Hub length<br>(T1) [mm] |
|--------------------|---------------------|--------------------------|------------------------------------|-------------------------------------|--------------|-------------------------|-------------------------|
| ALEV 100/15K-SG-AS | 100                 | 40                       | 200                                | –                                   | ball bearing | 15                      | 40                      |
| ALEV 125/15K-SG-AS | 125                 | 40                       | 250                                | –                                   | ball bearing | 15                      | 45                      |
| ALEV 160/20K-SG-AS | 160                 | 50                       | 350                                | 170                                 | ball bearing | 20                      | 60                      |
| ALEV 160/25K-SG-AS | 160                 | 50                       | 400                                | 200                                 | ball bearing | 25                      | 60                      |
| ALEV 200/20K-SG-AS | 200                 | 50                       | 450                                | 220                                 | ball bearing | 20                      | 60                      |
| ALEV 200/25K-SG-AS | 200                 | 50                       | 450                                | 220                                 | ball bearing | 25                      | 60                      |
| ALEV 250/20K-SG-AS | 250                 | 50                       | 550                                | 270                                 | ball bearing | 20                      | 60                      |
| ALEV 250/25K-SG-AS | 250                 | 50                       | 550                                | 270                                 | ball bearing | 25                      | 60                      |

**Additional details:**

- wheel series: page 63
- tread: page 53
- bearing types: page 84–85
- chemical resistance: page 51

9

### Castor series



|                     | L-ALEV             | LK-ALEV            | LH-ALEV            | LUH-ALEV           | LO-ALEV            | LHD-ALEV           |
|---------------------|--------------------|--------------------|--------------------|--------------------|--------------------|--------------------|
| Page                | 222                | 223                | 224                | 225                | 226                | 227                |
| Load capacity class |                    |                    |                    |                    |                    |                    |
| Available for       | wheel Ø 100–250 mm | wheel Ø 100–200 mm | wheel Ø 100–250 mm | wheel Ø 160–200 mm | wheel Ø 160–250 mm | wheel Ø 100–125 mm |



## PATH...-ELS series

**Wheels with thermoplastic polyurethane tread, with nylon wheel centre, electrically conductive, non-marking**

50–325 kg

### Tread and tyre hardness

94 Shore A

### Smooth operation / floor preservation

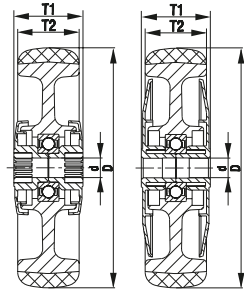
good

### Rolling resistance

very good

### Wear resistance

very good



ball bearing (C) KA version      ball bearing (C) KF version



### Tread:

- high-quality thermoplastic polyurethane (TPU), hardness 94 Shore A
- low rolling and swivel resistance
- high abrasion resistance
- colour dark grey, non-marking, non-staining
- chemically-bonded inseparable connection with the wheel centre

### Wheel centre:

- high-quality nylon 6, impact resistant
- colour silver grey (thread guard: black)

### Other features:

- KA version: with synthetic thread guard, small
- KF version: with synthetic thread guard, large
- KAD version: with synthetic thread guard, small, with additional ball bearing seal
- KFD version: with synthetic thread guard, large, with additional ball bearing seal
- very high chemical resistance to many aggressive substances
- operating temperature: -20 °C to +70 °C, temporarily up to +90 °C, reduced load capacity over +35 °C
- electrical conductivity (ohmic resistance) ≤ 10<sup>4</sup> Ω

### Additional details:

- wheel series: page 61
- tread: page 55
- bearing types: page 84–85
- chemical resistance: page 51

| Wheels             | Wheel Ø<br>(D) [mm] | Wheel width<br>(T2) [mm] | Load capacity<br>[kg] | Bearing type     | Axle bore Ø<br>(d) [mm] | Hub length<br>(T1) [mm] |
|--------------------|---------------------|--------------------------|-----------------------|------------------|-------------------------|-------------------------|
| PATH 50/6KF-ELS    | 50                  | 19                       | 50                    | ball bearing (C) | 6                       | 23                      |
| PATH 50/6KFD-ELS   | 50                  | 19                       | 50                    | ball bearing (C) | 6                       | 23                      |
| PATH 75/6KF-ELS    | 75                  | 25                       | 65                    | ball bearing (C) | 6                       | 31                      |
| PATH 75/6KFD-ELS   | 75                  | 25                       | 65                    | ball bearing (C) | 6                       | 31                      |
| PATH 80/8KF-ELS    | 80                  | 32                       | 100                   | ball bearing (C) | 8                       | 36                      |
| PATH 80/8KFD-ELS   | 80                  | 32                       | 100                   | ball bearing (C) | 8                       | 36                      |
| PATH 101/8KF-ELS   | 100                 | 32                       | 130                   | ball bearing (C) | 8                       | 36                      |
| PATH 101/8KFD-ELS  | 100                 | 32                       | 130                   | ball bearing (C) | 8                       | 36                      |
| PATH 100/8KF-ELS   | 100                 | 32                       | 130                   | ball bearing (C) | 8                       | 46                      |
| PATH 100/8KFD-ELS  | 100                 | 32                       | 130                   | ball bearing (C) | 8                       | 46                      |
| PATH 100/10KF-ELS  | 100                 | 32                       | 130                   | ball bearing (C) | 10                      | 46                      |
| PATH 100/10KFD-ELS | 100                 | 32                       | 130                   | ball bearing (C) | 10                      | 46                      |
| PATH 126/8KF-ELS   | 125                 | 32                       | 160                   | ball bearing (C) | 8                       | 36                      |
| PATH 126/8KFD-ELS  | 125                 | 32                       | 160                   | ball bearing (C) | 8                       | 36                      |
| PATH 125/8KF-ELS   | 125                 | 32                       | 160                   | ball bearing (C) | 8                       | 46                      |
| PATH 125/8KFD-ELS  | 125                 | 32                       | 160                   | ball bearing (C) | 8                       | 46                      |
| PATH 125/10KF-ELS  | 125                 | 32                       | 160                   | ball bearing (C) | 10                      | 46                      |
| PATH 125/10KFD-ELS | 125                 | 32                       | 160                   | ball bearing (C) | 10                      | 46                      |
| PATH 160/12KAD-ELS | 160                 | 40                       | 260                   | ball bearing (C) | 12                      | 62                      |
| PATH 160/12KA-ELS  | 160                 | 40                       | 260                   | ball bearing (C) | 12                      | 62                      |
| PATH 160/20KA-ELS  | 160                 | 40                       | 260                   | ball bearing (C) | 20                      | 60                      |
| PATH 160/20KAD-ELS | 160                 | 40                       | 260                   | ball bearing (C) | 20                      | 60                      |
| PATH 200/12KAD-ELS | 200                 | 40                       | 325                   | ball bearing (C) | 12                      | 62                      |
| PATH 200/12KA-ELS  | 200                 | 40                       | 325                   | ball bearing (C) | 12                      | 62                      |
| PATH 200/20KA-ELS  | 200                 | 40                       | 325                   | ball bearing (C) | 20                      | 60                      |
| PATH 200/20KAD-ELS | 200                 | 40                       | 325                   | ball bearing (C) | 20                      | 60                      |

## Castor series



|                     | LPA-PATH / LKPA-PATH | LDA-PATH          | LE-PATH            | L-PATH            | LK-PATH           | LPXA-PATH / LKPXA-PATH | LEX-PATH           |
|---------------------|----------------------|-------------------|--------------------|-------------------|-------------------|------------------------|--------------------|
| Page                | 138                  | 140               | 259                | 261               | 262               | 395                    | 407                |
| Load capacity class |                      |                   |                    |                   |                   |                        |                    |
| Available for       | wheel Ø 50–125 mm*   | wheel Ø 50–75 mm* | wheel Ø 80–200 mm* | wheel Ø 80–200 mm | wheel Ø 80–200 mm | wheel Ø 50–125 mm*     | wheel Ø 80–200 mm* |

\* Other castor series with bolt hole: LRA-PATH / LKRA-PATH (page 137), LMDA-PATH (page 139), LER-PATH (page 260), LRXA-PATH / LKRXA-PATH (page 394), LEXR-PATH (page 408)

# ALH...-AS series

**Heavy-duty wheels**  
with **Blickle Extrathane®** polyurethane tread,  
with aluminium wheel centre, antistatic

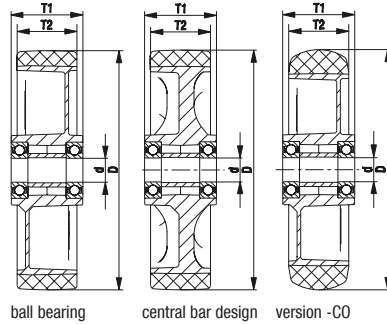
200–1,250 kg

**Tread and tyre hardness**  
 92 Shore A

**Smooth operation / floor preservation**  
 good

**Rolling resistance**  
 very good

**Wear resistance**  
 excellent



- Tread:**
- high-quality polyurethane elastomer Blickle Extrathane®, hardness 92 Shore A
  - low rolling resistance
  - high abrasion resistance
  - high cut and tear propagation resistance
  - colour grey, non-marking, non-staining
  - excellent chemical connection with the wheel centre

- Wheel centre:**
- die-cast aluminium

- Other features:**
- high chemical resistance to many aggressive substances
  - operating temperature: -20 °C to +70 °C, temporarily up to +90 °C, reduced load capacity over +40 °C
  - electrical conductivity (ohmic resistance) ≤ 10<sup>7</sup> Ω

- Additional details:**
- wheel series: page 65
  - tread: page 55
  - bearing types: page 84–85
  - chemical resistance: page 51

| Wheels               | Wheel Ø<br>(D) [mm] | Wheel width<br>(T2) [mm] | Load capacity<br>at 4 km/h<br>[kg] | Load capacity<br>at 10 km/h<br>[kg] | Bearing type | Axle bore Ø<br>(d) [mm] | Hub length<br>(T1) [mm] |
|----------------------|---------------------|--------------------------|------------------------------------|-------------------------------------|--------------|-------------------------|-------------------------|
| ALTH 80/15K-AS       | 80                  | 30                       | 200                                | –                                   | ball bearing | 15                      | 35                      |
| ALTH 100/15K-AS      | 100                 | 40                       | 350                                | –                                   | ball bearing | 15                      | 45                      |
| ALTH 101/15K-AS *    | 100                 | 40                       | 420                                | –                                   | ball bearing | 15                      | 40                      |
| ALTH 101/15K-AS-CO * | 100                 | 40                       | 420                                | –                                   | ball bearing | 15                      | 40                      |
| ALTH 125/15K-AS      | 125                 | 40                       | 550                                | –                                   | ball bearing | 15                      | 45                      |
| ALTH 125/15K-AS-CO   | 125                 | 40                       | 550                                | –                                   | ball bearing | 15                      | 45                      |
| ALTH 127/20K-AS      | 125                 | 54                       | 750                                | 370                                 | ball bearing | 20                      | 60                      |
| ALTH 151/15K-AS      | 150                 | 40                       | 400                                | 200                                 | ball bearing | 15                      | 60                      |
| ALTH 150/20K-AS      | 150                 | 50                       | 650                                | 320                                 | ball bearing | 20                      | 60                      |
| ALTH 152/20K-AS *    | 150                 | 54                       | 900                                | 450                                 | ball bearing | 20                      | 60                      |
| ALTH 160/20K-AS      | 160                 | 50                       | 750                                | 370                                 | ball bearing | 20                      | 60                      |
| ALTH 160/20K-AS-CO   | 160                 | 50                       | 750                                | 300                                 | ball bearing | 20                      | 60                      |
| ALTH 162/20K-AS *    | 160                 | 50                       | 950                                | 470                                 | ball bearing | 20                      | 60                      |
| ALTH 180/20K-AS      | 180                 | 50                       | 700                                | 350                                 | ball bearing | 20                      | 60                      |
| ALTH 200/20K-AS      | 200                 | 50                       | 800                                | 400                                 | ball bearing | 20                      | 60                      |
| ALTH 200/20K-AS-CO   | 200                 | 50                       | 800                                | 320                                 | ball bearing | 20                      | 60                      |
| ALTH 200/25K-AS      | 200                 | 50                       | 800                                | 400                                 | ball bearing | 25                      | 60                      |
| ALTH 200/25K-AS-CO   | 200                 | 50                       | 800                                | 320                                 | ball bearing | 25                      | 60                      |
| ALTH 202/20K-AS *    | 200                 | 50                       | 1,000                              | 500                                 | ball bearing | 20                      | 60                      |
| ALTH 250/25K-AS      | 250                 | 60                       | 1,000                              | 500                                 | ball bearing | 25                      | 70                      |
| ALTH 252/25K-AS *    | 250                 | 60                       | 1,250                              | 620                                 | ball bearing | 25                      | 70                      |

\*With heavy-duty wheel centre, reinforced design

9

## Castor series



|                     | L-ALTH            | LK-ALTH           | LKR-ALTH                   | LH-ALTH           | LHZ-ALTH                    | LUH-ALTH                         | LO-ALTH                               |
|---------------------|-------------------|-------------------|----------------------------|-------------------|-----------------------------|----------------------------------|---------------------------------------|
| Page                | 275               | 276               | 277                        | 278               | 279                         | 280                              | 281                                   |
| Load capacity class |                   |                   |                            |                   |                             |                                  |                                       |
| Available for       | wheel Ø 80–250 mm | wheel Ø 80–200 mm | wheel Ø 80, 100, 125x40 mm | wheel Ø 80–250 mm | wheel Ø 125x54, 160, 200 mm | wheel Ø 125x54, 150, 160, 200 mm | wheel Ø 125x54, 150, 160, 200, 250 mm |

## ALST...-AS series

**Heavy-duty wheels**  
with **Blickle Softhane®** polyurethane tread,  
with aluminium wheel centre, antistatic

320–750 kg

**Tread and tyre hardness**

75 Shore A

**Smooth operation / floor preservation**

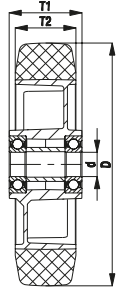
very good

**Rolling resistance**

very good

**Wear resistance**

very good



**Tread:**

- high-quality polyurethane elastomer Blickle Softhane®, hardness 75 Shore A
- extra-thick elastic tread for excellent operational comfort
- very good floor preservation, low-noise operation
- low rolling resistance
- high abrasion resistance
- high cut and tear propagation resistance
- colour grey, non-marking, non-staining
- excellent chemical connection with the wheel centre

**Wheels**

| Wheels          | Wheel Ø<br>(D) [mm] | Wheel width<br>(T2) [mm] | Load capacity<br>at 4 km/h<br>[kg] | Load capacity<br>at 10 km/h<br>[kg] | Bearing type | Axle bore Ø<br>(d) [mm] | Hub length<br>(T1) [mm] |
|-----------------|---------------------|--------------------------|------------------------------------|-------------------------------------|--------------|-------------------------|-------------------------|
| ALST 100/15K-AS | 100                 | 40                       | 320                                | –                                   | ball bearing | 15                      | 40                      |
| ALST 125/15K-AS | 125                 | 40                       | 370                                | –                                   | ball bearing | 15                      | 45                      |
| ALST 127/20K-AS | 125                 | 54                       | 450                                | 180                                 | ball bearing | 20                      | 60                      |
| ALST 150/20K-AS | 150                 | 50                       | 500                                | 200                                 | ball bearing | 20                      | 60                      |
| ALST 160/20K-AS | 160                 | 50                       | 580                                | 230                                 | ball bearing | 20                      | 60                      |
| ALST 200/20K-AS | 200                 | 50                       | 750                                | 300                                 | ball bearing | 20                      | 60                      |

**Wheel centre:**

- die-cast aluminium

**Other features:**

- high chemical resistance to many aggressive substances
- operating temperature: -20 °C to +70 °C, temporarily up to +90 °C, reduced load capacity over +40 °C
- electrical conductivity (ohmic resistance) ≤ 10<sup>7</sup> Ω

**Additional details:**

- wheel series: page 66
- tread: page 55
- bearing types: page 84–85
- chemical resistance: page 51

### Castor series



|                     | L-ALST             | LK-ALST            | LKR-ALST              | LH-ALST            | LUH-ALST              | LO-ALST               |
|---------------------|--------------------|--------------------|-----------------------|--------------------|-----------------------|-----------------------|
| Page                | 295                | 296                | 297                   | 298                | 299                   | 300                   |
| Load capacity class |                    |                    |                       |                    |                       |                       |
| Available for       | wheel Ø 100–200 mm | wheel Ø 100–200 mm | wheel Ø 100–125x40 mm | wheel Ø 100–200 mm | wheel Ø 125x54–200 mm | wheel Ø 125x54–200 mm |

## PP...-EL series

### Polypropylene wheels electrically conductive

160–450 kg

**Tread and tyre hardness**  
 60 Shore D

**Smooth operation / floor preservation**  
 satisfactory

**Rolling resistance**  
 very good

**Wear resistance**  
 satisfactory

**Wheel:**

- high-quality polypropylene, impact resistant, hardness 60 Shore D
- low rolling and swivel resistance
- colour black

**Other features:**

- KA version: with synthetic thread guard, small
- high chemical resistance to many aggressive substances
- operating temperature: -20 °C to +60 °C, reduced load capacity over +30 °C
- electrical conductivity (ohmic resistance)  $\leq 10^4 \Omega$

**Additional details:**

- wheel series: page 69
- tread: page 57
- bearing types: page 84–85
- chemical resistance: page 51



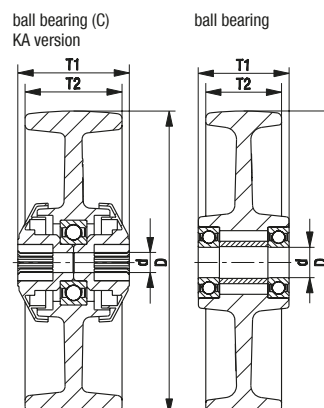
| Wheels        | Wheel Ø  | Wheel width | Load capacity | Bearing type     | Axle bore Ø | Hub length |
|---------------|----------|-------------|---------------|------------------|-------------|------------|
|               | (D) [mm] | (T2) [mm]   | [kg]          |                  | (d) [mm]    | (T1) [mm]  |
| PP 100/8KA-EL | 100      | 37          | 160           | ball bearing (C) | 8           | 46         |
| PP 125/8KA-EL | 125      | 40          | 200           | ball bearing (C) | 8           | 46         |
| PP 150/20K-EL | 150      | 50          | 300           | ball bearing     | 20          | 60         |
| PP 200/20K-EL | 200      | 50          | 450           | ball bearing     | 20          | 60         |

9

### Castor series



|                     | LE-PP | LER-PP | L-PP |
|---------------------|-------|--------|------|
| Page                | 337   | 338    | 339  |
| Load capacity class |       |        |      |
| Available for       | all   | all    | all  |





## PO...-ELS series

### Nylon wheels

electrically conductive, non-marking



220–600 kg

**Tread and tyre hardness**

70 Shore D

**Smooth operation / floor preservation**

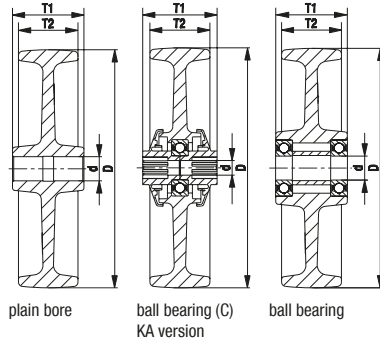
satisfactory

**Rolling resistance**

excellent

**Wear resistance**

good



**Wheel:**

- high-quality nylon 6, impact resistant, hardness 70 Shore D
- excellent rolling and swivel resistance
- easy operation on smooth surfaces
- high abrasion resistance
- colour grey, non-marking

**Other features:**

- KA version: with synthetic thread guard, small
- high chemical resistance to many aggressive substances
- operating temperature: -20 °C to +80 °C, reduced load capacity over +35 °C
- electrical conductivity (ohmic resistance)  $\leq 10^4 \Omega$

**Additional details:**

- wheel series: page 69
- tread: page 57
- bearing types: page 84–85
- chemical resistance: page 51

| Wheels          | Wheel Ø<br>(D) [mm] | Wheel width<br>(T2) [mm] | Load capacity<br>[kg] | Bearing type     | Axle bore Ø<br>(d) [mm] | Hub length<br>(T1) [mm] |
|-----------------|---------------------|--------------------------|-----------------------|------------------|-------------------------|-------------------------|
| PO 80/12G-ELS   | 80                  | 32                       | 220                   | plain bore       | 12                      | 35                      |
| PO 80/8KA-ELS   | 80                  | 32                       | 220                   | ball bearing (C) | 8                       | 36                      |
| PO 100/12G-ELS  | 100                 | 37                       | 280                   | plain bore       | 12                      | 45                      |
| PO 100/15G-ELS  | 100                 | 37                       | 280                   | plain bore       | 15                      | 45                      |
| PO 100/8KA-ELS  | 100                 | 37                       | 280                   | ball bearing (C) | 8                       | 46                      |
| PO 100/10KA-ELS | 100                 | 37                       | 280                   | ball bearing (C) | 10                      | 46                      |
| PO 125/12G-ELS  | 125                 | 40                       | 300                   | plain bore       | 12                      | 45                      |
| PO 125/15G-ELS  | 125                 | 40                       | 300                   | plain bore       | 15                      | 45                      |
| PO 125/8KA-ELS  | 125                 | 40                       | 300                   | ball bearing (C) | 8                       | 46                      |
| PO 125/10KA-ELS | 125                 | 40                       | 300                   | ball bearing (C) | 10                      | 46                      |
| PO 150/20G-ELS  | 150                 | 50                       | 400                   | plain bore       | 20                      | 60                      |
| PO 150/20K-ELS  | 150                 | 50                       | 400                   | ball bearing     | 20                      | 60                      |
| PO 160/20G-ELS  | 160                 | 50                       | 450                   | plain bore       | 20                      | 60                      |
| PO 160/20K-ELS  | 160                 | 50                       | 450                   | ball bearing     | 20                      | 60                      |
| PO 200/20G-ELS  | 200                 | 50                       | 600                   | plain bore       | 20                      | 60                      |
| PO 200/20K-ELS  | 200                 | 50                       | 600                   | ball bearing     | 20                      | 60                      |

## Castor series



|                     | LE-PO / LEX-PO    | LER-PO / LEXR-PO   | L-PO / LX-PO      | LK-PO              | LH-PO              | LUH-PO             | LO-PO              |
|---------------------|-------------------|--------------------|-------------------|--------------------|--------------------|--------------------|--------------------|
| Page                | 345 / 417         | 346 / 418          | 348 / 420         | 350                | 352                | 353                | 354                |
| Load capacity class |                   |                    |                   |                    |                    |                    |                    |
| Available for       | wheel Ø 80–200 mm | wheel Ø 80–200 mm* | wheel Ø 80–200 mm | wheel Ø 100–200 mm | wheel Ø 100–200 mm | wheel Ø 150–200 mm | wheel Ø 150–200 mm |

\* Other castor series with stem: LEZ-PO (page 347), LEXZ-PO (page 419)

# G series

## Cast iron wheels

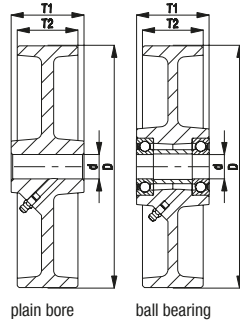
250–1,400 kg

**Tread and tyre hardness**  
 180–220 HB

**Smooth operation / floor preservation**  
 sufficient

**Rolling resistance**  
 excellent

**Wear resistance**  
 excellent



- Wheel:**
- rugged grey cast iron, hardness 180–220 HB
  - with grease nipple
  - extremely low rolling and swivel resistance
  - outstanding wear resistance
  - machined tread and edges
  - lacquered, colour silver

- Other features:**
- chemical resistance to many aggressive substances
  - operating temperature:  
 plain bore version: -100 °C to +600 °C  
 ball bearing version: ("K"): -20 °C to +120 °C  
 ball bearing version: ("IK"): -30 °C to +300 °C
  - consider the surface pressure on sensitive floors due to high point loads
  - provide adequate lubrication on a regular basis for plain bore version
  - to be lubricated according to the application temperature
  - electrical conductivity (ohmic resistance)  $\leq 10^4 \Omega$

- Additional details:**
- wheel series: page 70
  - tread: page 59
  - bearing types: page 84–85
  - chemical resistance: page 51

| Wheels     | Wheel Ø<br>(D) [mm] | Wheel width<br>(T2) [mm] | Load capacity<br>up to +70 °C<br>[kg] | Bearing type | Axle bore Ø<br>(d) [mm] | Hub length<br>(T1) [mm] |
|------------|---------------------|--------------------------|---------------------------------------|--------------|-------------------------|-------------------------|
| G 80/12G   | 80                  | 25                       | 250                                   | plain bore   | 12                      | 35                      |
| G 80/15G   | 80                  | 25                       | 250                                   | plain bore   | 15                      | 35                      |
| G 100/15G  | 100                 | 35                       | 400                                   | plain bore   | 15                      | 45                      |
| G 100/15IK | 100                 | 35                       | 400                                   | ball bearing | 15                      | 40                      |
| G 100/15K  | 100                 | 35                       | 400                                   | ball bearing | 15                      | 40                      |
| G 125/15G  | 125                 | 35                       | 450                                   | plain bore   | 15                      | 45                      |
| G 125/15IK | 125                 | 35                       | 450                                   | ball bearing | 15                      | 45                      |
| G 125/15K  | 125                 | 35                       | 450                                   | ball bearing | 15                      | 45                      |
| G 127/20G  | 125                 | 50                       | 750                                   | plain bore   | 20                      | 60                      |
| G 127/20IK | 125                 | 50                       | 750                                   | ball bearing | 20                      | 60                      |
| G 127/20K  | 125                 | 50                       | 750                                   | ball bearing | 20                      | 60                      |
| G 150/20G  | 150                 | 50                       | 900                                   | plain bore   | 20                      | 60                      |
| G 150/20IK | 150                 | 50                       | 900                                   | ball bearing | 20                      | 60                      |
| G 150/20K  | 150                 | 50                       | 900                                   | ball bearing | 20                      | 60                      |
| G 200/20G  | 200                 | 50                       | 1,100                                 | plain bore   | 20                      | 60                      |
| G 200/20IK | 200                 | 50                       | 1,000                                 | ball bearing | 20                      | 60                      |
| G 200/20K  | 200                 | 50                       | 1,100                                 | ball bearing | 20                      | 60                      |
| G 250/25G  | 250                 | 60                       | 1,400                                 | plain bore   | 25                      | 65                      |
| G 250/25IK | 250                 | 60                       | 1,300                                 | ball bearing | 25                      | 70                      |
| G 250/25K  | 250                 | 60                       | 1,400                                 | ball bearing | 25                      | 70                      |

## Castor series

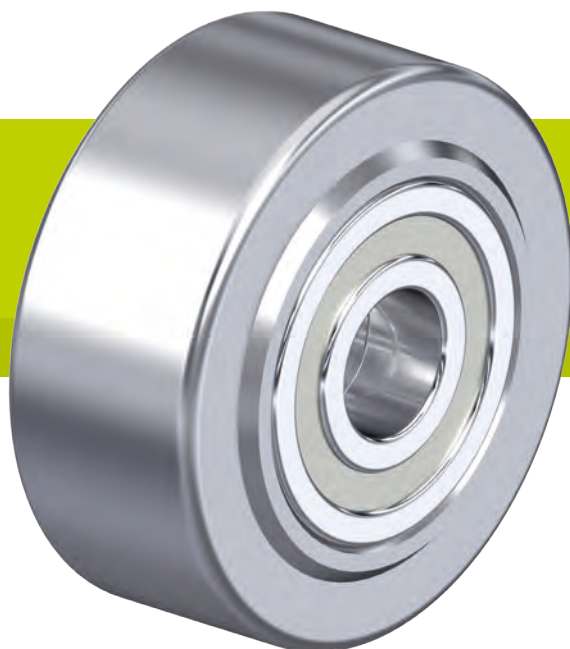


|                     | L-G               | LK-G              | LH-G | LO-G                  | LS-G                  | LI-G               | LI0-G                  |
|---------------------|-------------------|-------------------|------|-----------------------|-----------------------|--------------------|------------------------|
| Page                | 377               | 378               | 379  | 380                   | 381                   | 469                | 470                    |
| Load capacity class |                   |                   |      |                       |                       |                    |                        |
| Available for       | wheel Ø 80–200 mm | wheel Ø 80–200 mm | all  | wheel Ø 125x50–250 mm | wheel Ø 125x50–250 mm | wheel Ø 80–200 mm* | wheel Ø 125x50–250 mm* |

\* Plain bore version and ball bearing version "IK"

## SVS series

### Super heavy-duty solid steel wheels



750–15,000 kg

**Tread and tyre hardness**

190–230 HB

**Smooth operation / floor preservation**

sufficient

**Rolling resistance**

excellent

**Wear resistance**

excellent

**Wheel:**

- heat-treatable steel, machined, hardness 190–230 HB
- slightly crowned tread
- lightly-oiled surface
- extremely low rolling resistance
- easy operation on smooth surfaces
- outstanding wear resistance
- extremely high static and dynamic load capacity

**Other features:**

- chemical resistance to many aggressive substances
- operating temperature: -20 °C to +120 °C
- consider the surface pressure on sensitive floors due to high point loads
- electrical conductivity (ohmic resistance)  $\leq 10^4 \Omega$

**Additional details:**

- wheel series: page 70
- tread: page 59
- bearing types: page 84–85
- chemical resistance: page 51

| Wheels              | Wheel Ø<br>(D) [mm] | Wheel width<br>(T2) [mm] | Load capacity<br>[kg] | Bearing type | Axle bore Ø<br>(d) [mm] | Hub length<br>(T1) [mm] |
|---------------------|---------------------|--------------------------|-----------------------|--------------|-------------------------|-------------------------|
| <b>SVS 65/20K</b>   | 65                  | 40                       | 750                   | ball bearing | 20                      | 45                      |
| <b>SVS 80/20K</b>   | 80                  | 40                       | 1,100                 | ball bearing | 20                      | 45                      |
| <b>SVS 100/25K</b>  | 100                 | 40                       | 1,700                 | ball bearing | 25                      | 45                      |
| <b>SVS 127/30K</b>  | 125                 | 55                       | 2,750                 | ball bearing | 30                      | 60                      |
| <b>SVS 150/45K</b>  | 150                 | 55                       | 4,000                 | ball bearing | 45                      | 60                      |
| <b>SVS 201/50K</b>  | 200                 | 55                       | 6,000                 | ball bearing | 50                      | 60                      |
| <b>SVS 200/60K</b>  | 200                 | 80                       | 7,000                 | ball bearing | 60                      | 90                      |
| <b>SVS 250/70K</b>  | 250                 | 65                       | 10,000                | ball bearing | 70                      | 75                      |
| <b>SVS 300/100K</b> | 300                 | 90                       | 15,000                | ball bearing | 100                     | 100                     |

Other dimensions available upon request

## Castor series



|                     | LH-SVS            | LS-SVS             |
|---------------------|-------------------|--------------------|
| Page                | 383               | 384                |
| Load capacity class |                   |                    |
| Available for       | wheel Ø 65–125 mm | wheel Ø 100–300 mm |

